

SIGN	DATE	DESCRIPTION	APPROVER

THIS IS CAD DRAWING, DO NOT REVISE MANUALLY!!!

- Material:
- Terminal body
 - (Contact pin): Brass
 - Wire guard: Stainless steel
 - Surface of solder tail: Tin plated
 - Insulator(housing): Thermoplastic (UL94V-0)

- Electrical: cULus
- Voltage rating: 300V
 - Current rating: 8A
 - Wire range:
 - Solid wire(AWG): 14-28
 - Stranded wire(AWG): 14-28
 - Wire strip length: 6-7mm
 - Withstanding Voltage: 1.6KV
 - Operating temperature: -30°C to +105°C
 - Soldering temperature: 250°C±10°C/5 Sec

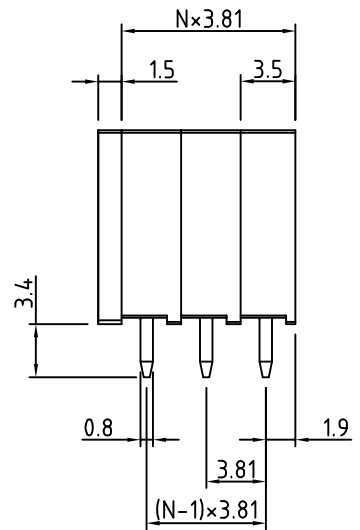
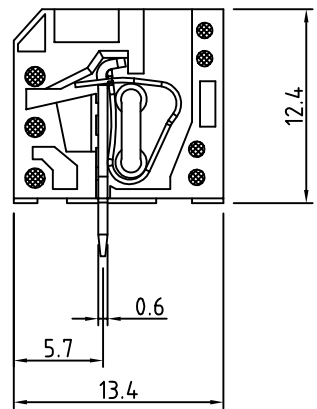
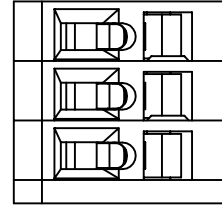
RoHS Compliant

PART NUMBER:

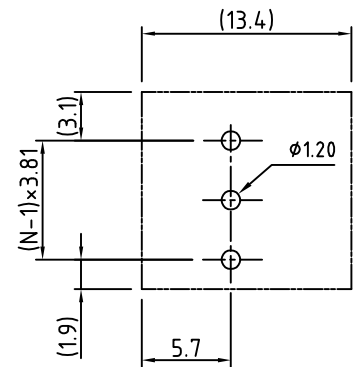
OSTHMXX3080

- No. of Poles
- 02: 2 Poles
 - :
 - :
 - 24: 24 Poles

- COLOR
- 0: Black
 - 5: Green
 - 6: Blue
 - 8: Grey (Standard)



N=Number of contacts



P.C.B LAYOUT

THESE DRAWINGS AND SPECIFICATIONS ARE THE PROPERTY OF ON-SHORE TECHNOLOGY, INC. AND SHALL NOT BE REPRODUCED, COPIED OR USED IN ANY MANNER WITHOUT THE PRIOR WRITTEN CONSENT OF ON-SHORE TECHNOLOGY, INC.



TITLE		OSTHM 3.81mm Series Dip solder Type					
PART NO.		OSTHMXX3080		DWG NO.		OSTHMXX3080.DWG	
APPROVED		CHECKED		DESIGNED		DRAWN	
				Tony 2006.03.11		Tony 2006.03.11	
						Tolerance X. ±0.50 X.X ±0.30 X.XX ±0.10 X° ±1°	
				SHEET: 01/01		UNIT: mm SCALE: NONE REV.: B	